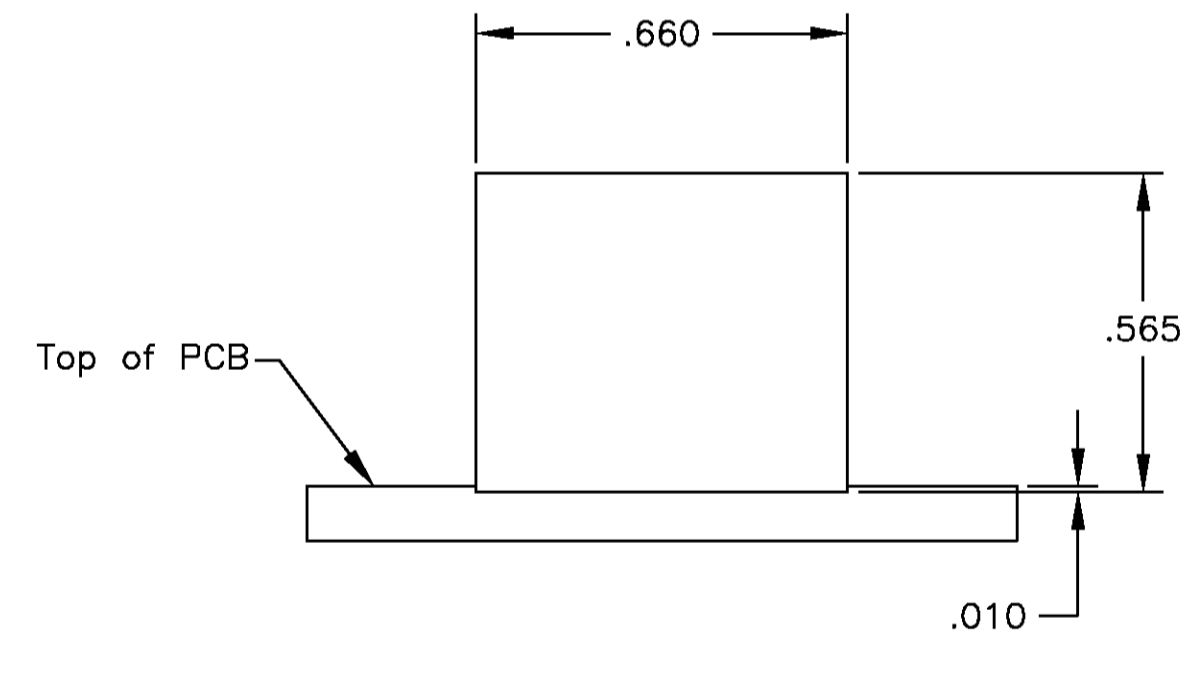
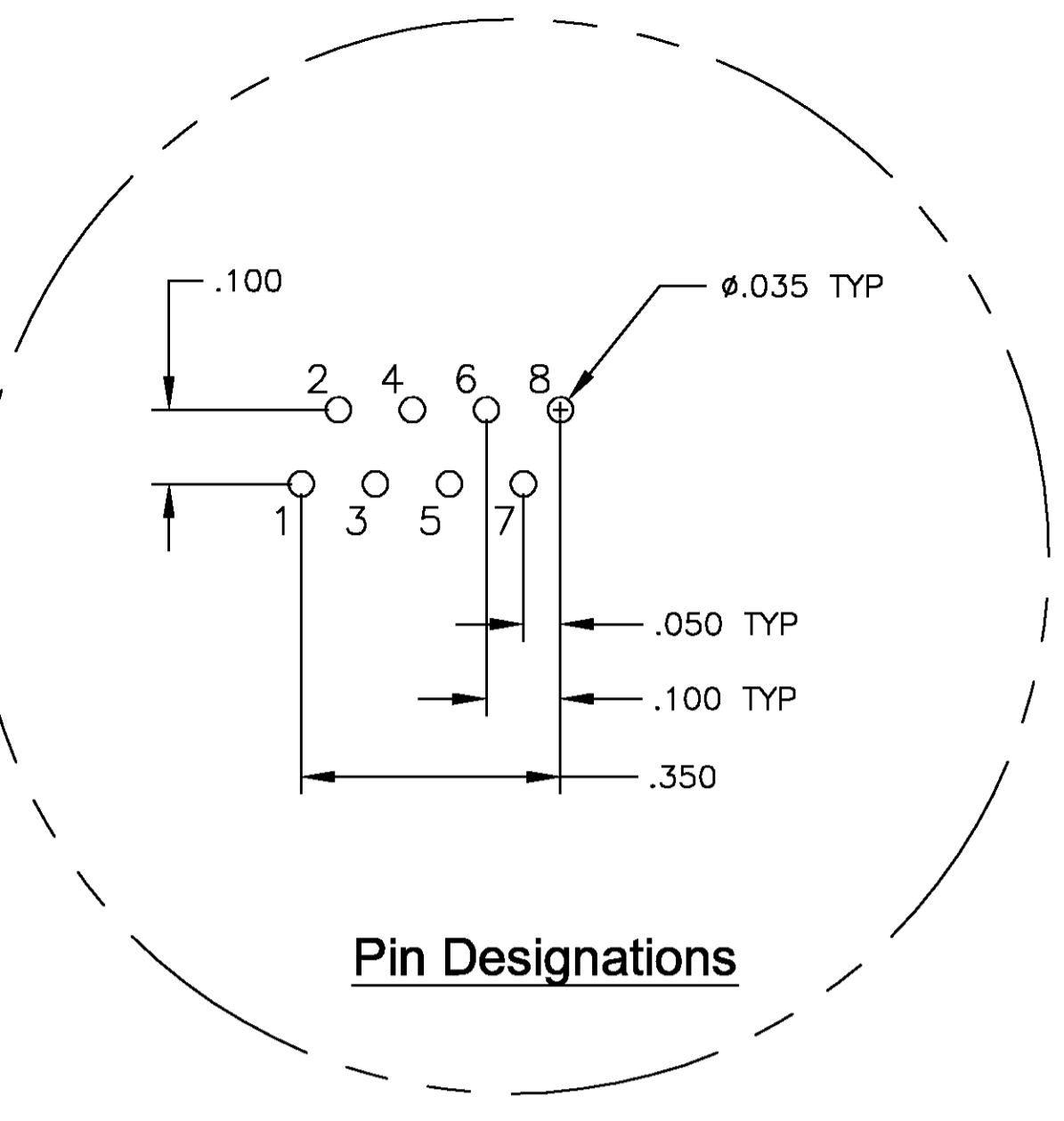
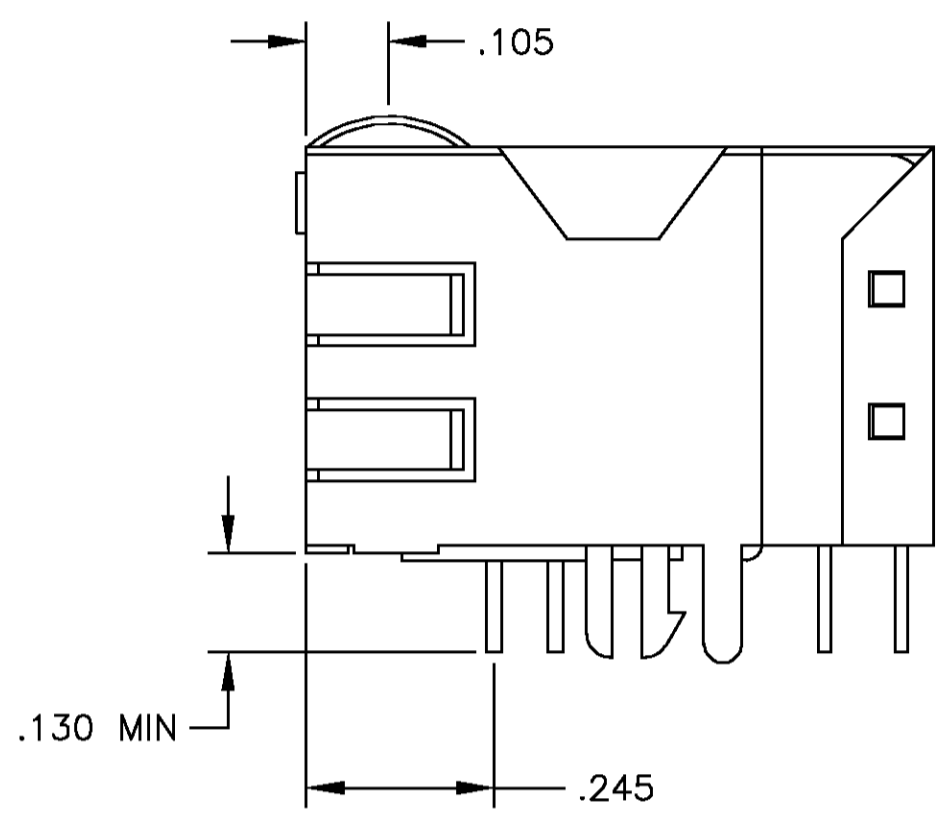
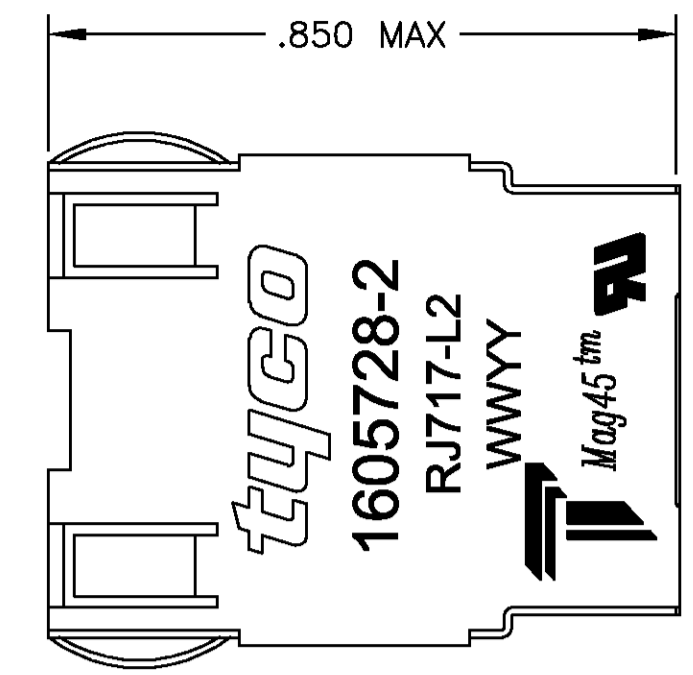
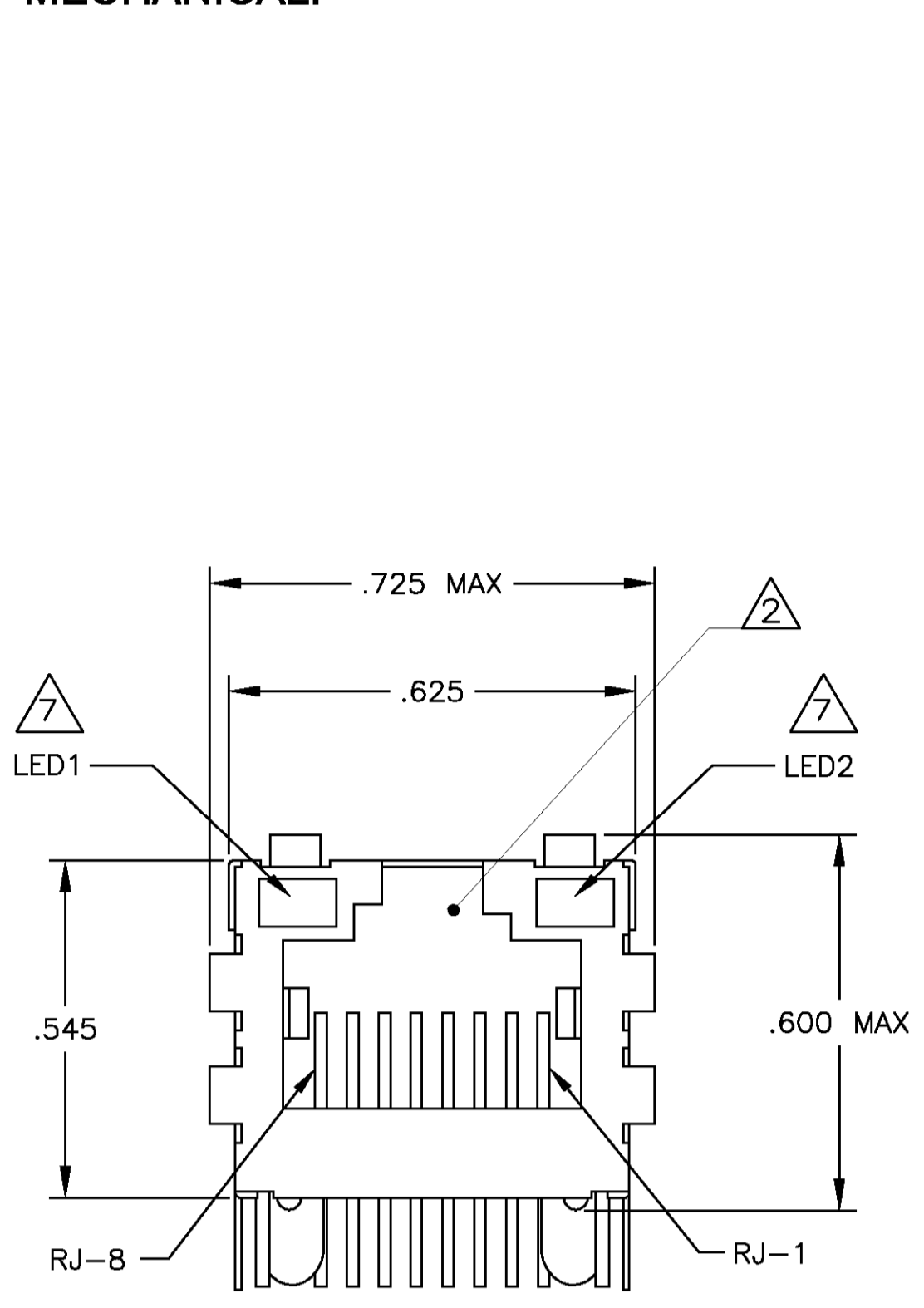
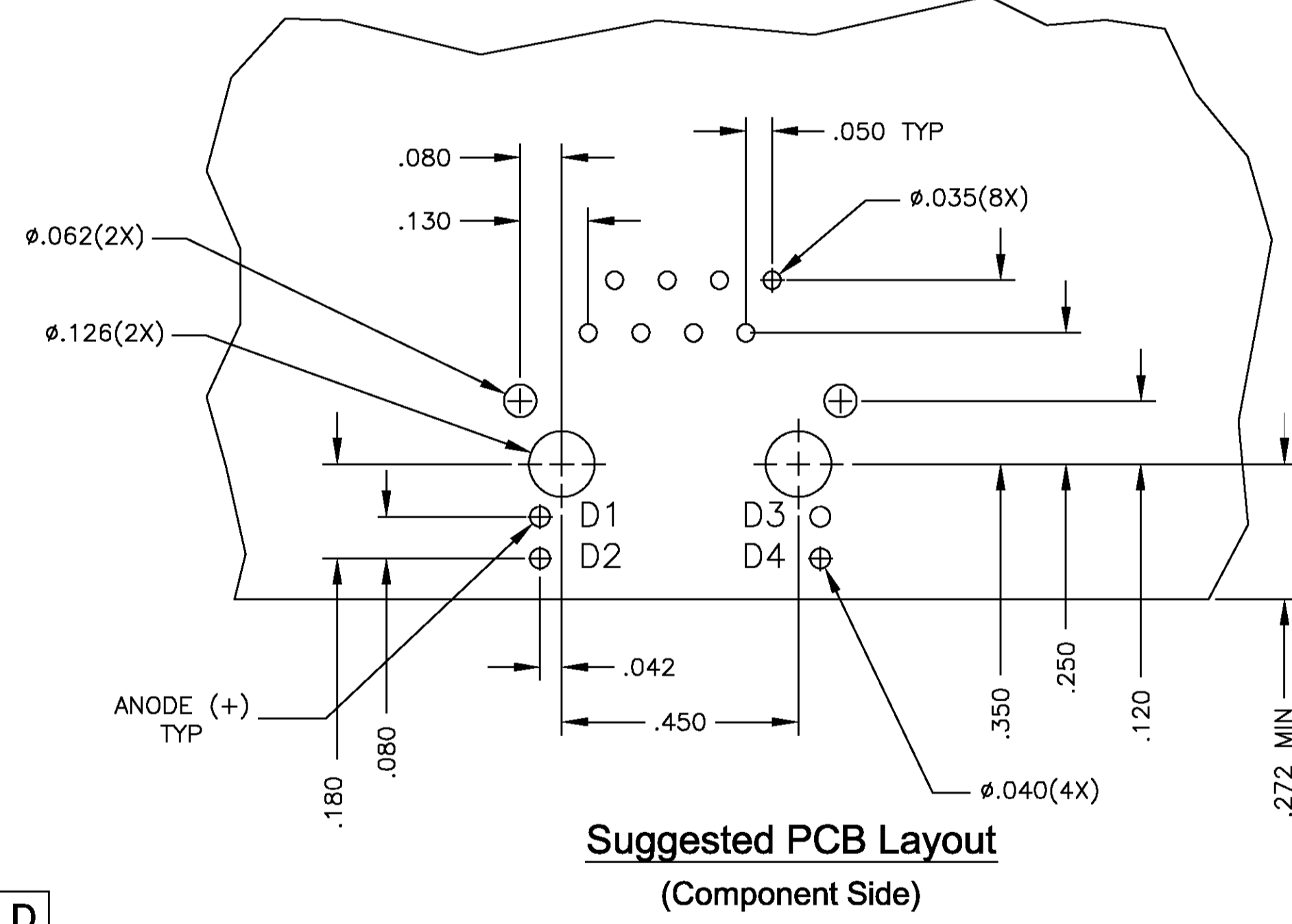
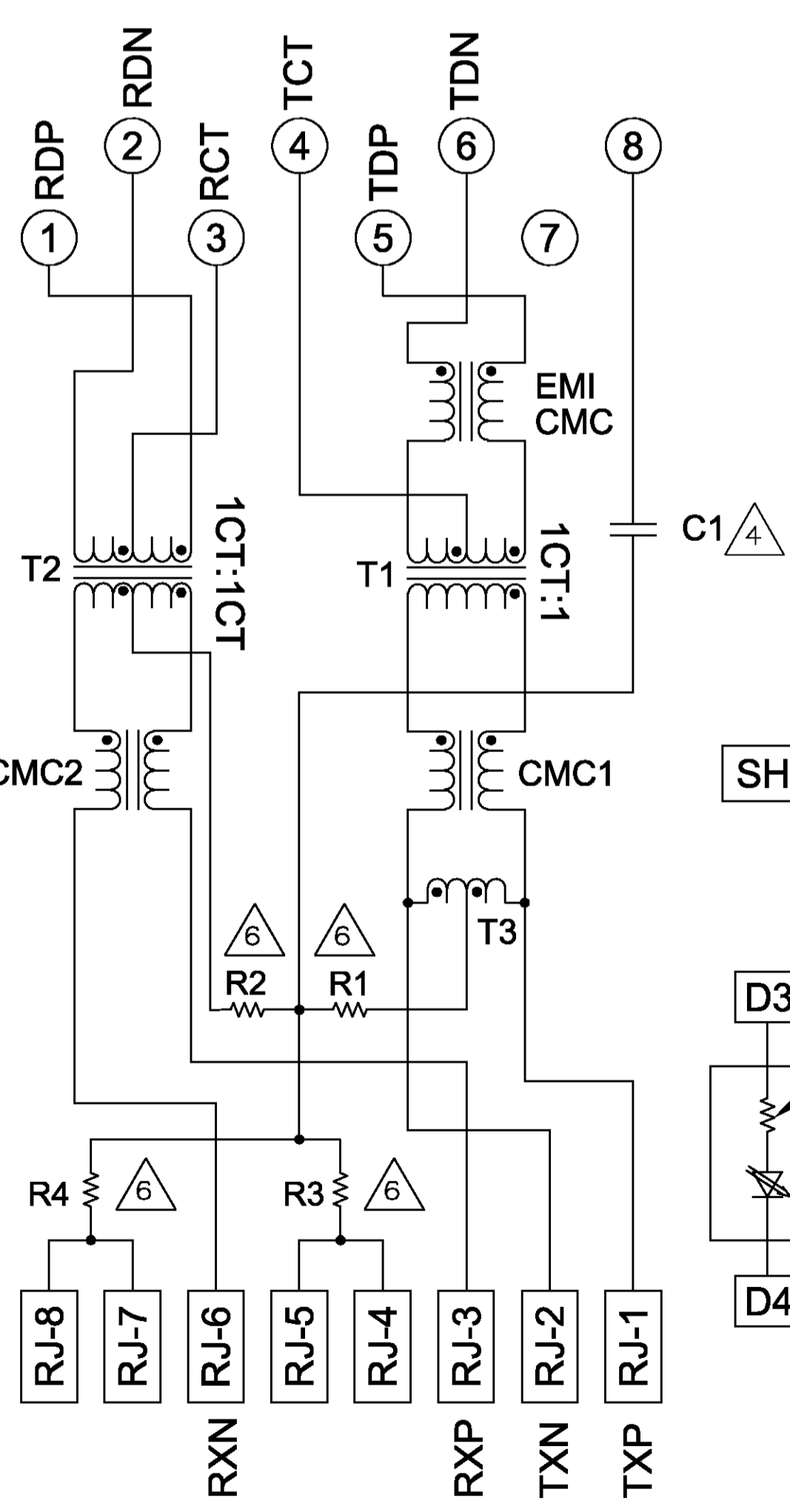


MECHANICAL:

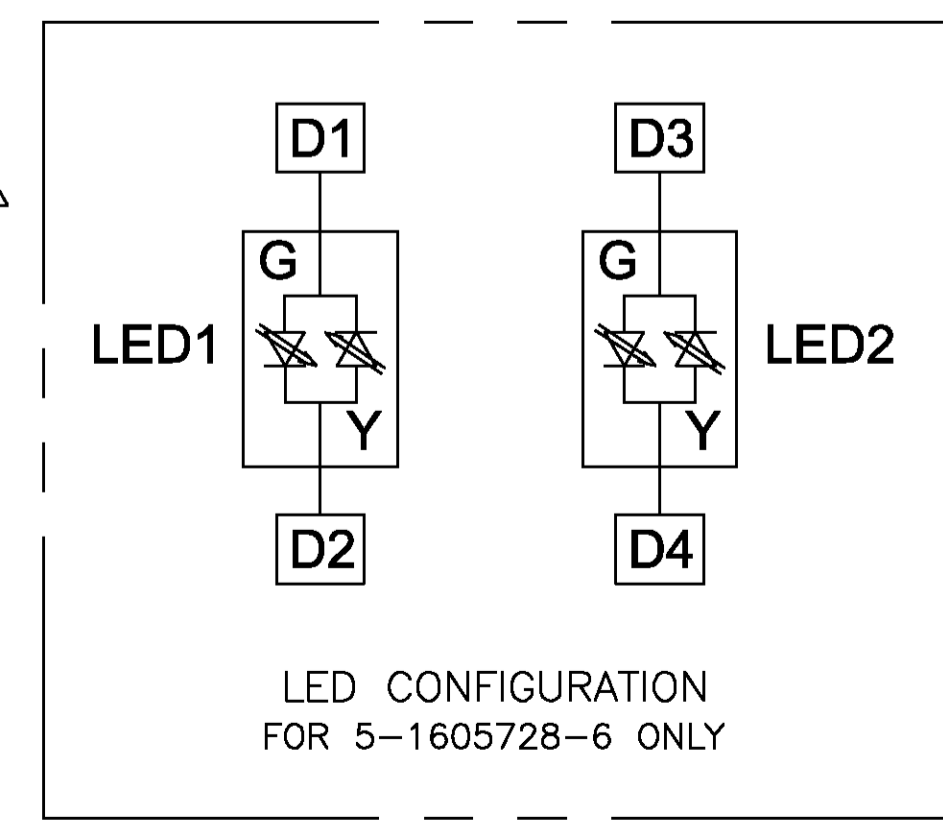
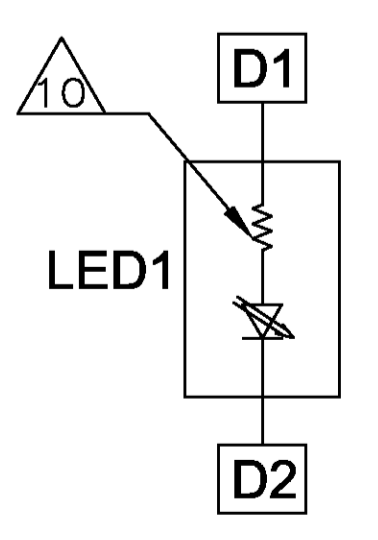


Suggested Panel Cutout

717 SERIES MAGNETIC CIRCUIT



Suggested PCB Layout (Component Side)



N/A	6-1605728-2
RJ717-C	6-1605728-1
RJ717-CL9	5-1605728-9
RJ717-CL8	5-1605728-8
RJ717-CL6	5-1605728-6
RJ717-CL2	5-1605728-2
RJ717-CL1	5-1605728-1
RJ717	1-1605728-1
RJ717-L9	1605728-9
RJ717-L2	1605728-2
TRANSPOWER P/N	TYCO P/N
CROSS REFERENCE	

- △ MATERIALS:
 - HOUSING - THERMOPLASTIC PET POLYESTER FLAMMABILITY RATING UL 94V-0.
 - SHIELD - .010" THICK, C26800 BRASS PREPLATED WITH 80-150μinch SEMI-BRIGHT NICKEL; POST-DIPPED WITH 100μinch MIN TIN-LEAD.
 - MOD JACK CONTACTS - .012" x .018", PHOSPHOR BRONZE, 50μinch MIN OVERALL NICKEL UNDERPLATE, WITH SELECT 50μinch MIN HARD GOLD FINISH PLATE.
 - SOLDERTAILS WITH 50μinch MIN TIN-LEAD FINISH PLATE.
 - LIGHT EMITTING DIODE(LED) - DIFFUSED EPOXY LENS, .020" x .020" CARBON STEEL WIREFRAME LEADS PREPLATED WITH 90μinch SILVER OVER 40μinch NICKEL UNDERPLATE OVER 80μinch COPPER UNDERPLATE, POST-PLATED WITH 300μinch THICK TIN-LEAD.
- △ RJ45 JACK CAVITY CONFORMS TO FCC RULES AND REGULATIONS PART 68, SUB PART F.
- △ MAGNETICS:
 - IMPEDANCE: 100 OHMS
 - TRANSMIT OPEN CIRCUIT INDUCTANCE (OCL): 350μH (MIN) @100KHZ, 0.1VRMS WITH 8 mA DC BIAS
 - RISE TIME: 2.5 NANO-SECONDS FROM 10 TO 90 PERCENT.
 - TURNS RATIO (CHIP: CABLE): TX: 1:1, RX: 1:1
- PERFORMANCE:
 - TRANSMIT RJ1 & 2.
 - RECEIVE RJ3 & 6.
 - INSERTION LOSS: FREQUENCY: 100 KHZ TO 100 MHZ TX/RX: -1.1 DB (MAX)
 - RETURN LOSS: FREQUENCY: 1 MHZ TO 60 MHZ TX/RX: -18.0 DB (MIN)
 - FREQUENCY: 60.1 MHZ TO 80 MHZ TX/RX: -15.0 DB (MIN)
 - FREQUENCY: 80.1 MHZ TO 100 MHZ TX/RX: -12.0 DB (MIN)
 - CROSSTALK: NEXT (TX TO RX) 35.0 DB (MIN) @100MHZ
 - TX CMRR: FREQUENCY: 100KHZ TO 100 MHZ, 42.0 DB (MIN)
 - RX CMRR: FREQUENCY: 100KHZ TO 100 MHZ, 33.0 DB (MIN)
 - HIPOT (ISOLATION VOLTAGE) :
 - 1500 VRMS (0.5 mA CUTOFF CURRENT) FOR 60 SECONDS DURATION WITHOUT DECOUPLING CAPACITOR.
 - 2250 VDC (1 mA CUTOFF CURRENT) FOR 60 SECONDS DURATION WITH DECOUPLING CAPACITOR.
 - ALL BRIDGED ON EITHER SIDE OF MAGNETICS PACKAGE FOR RJ-45 CONTACTS.
 - OPERATING TEMPERATURE: FROM 0° - +70°C.
- △ C1 IS AN OPTIONAL 1000 pF, 2KV DECOUPLING CAPACITOR. IF NO CAPACITOR, TRACE IS CONTINUOUS.
- △ ALL DIMENSIONS NOMINAL UNLESS OTHERWISE NOTED.
- △ R1-R4 = 75 OHMS, 1/16 W, 5% RESISTORS.
- △ LED COMPLIANT WITH IEC60825-1 SAFETY OF LASER PRODUCTS, WHEN OPERATED UP TO 20 mA.
- △ INDICATED CONNECTIONS ARE FOR NIC CONFIGURATION. THE MAGNETICS ARE ASYMMETRICAL, AND THEREFORE DO NOT SUPPORT AUTO-MDI/MDIX.
- △ LED PEAK WAVELENGTH: GREEN(λ) = 565nm, ORANGE(λ) = 635nm, YELLOW(λ) = 585nm
- △ THESE 250 OHM RESISTORS ARE INCLUDED IN THE LEDS ON 1605728-2, 1-1605728-1, 6-1605728-1, 5-1605728-1, AND 5-1605728-2 ONLY.

YES	GREEN	ORANGE	6-1605728-2
YES	GREEN	GREEN	6-1605728-1
YES	YELLOW	GREEN	5-1605728-9
YES	GREEN	YELLOW	5-1605728-8
YES	GREEN/YELLOW	GREEN/YELLOW	5-1605728-6
YES	YELLOW	GREEN	5-1605728-2
YES	GREEN	YELLOW	5-1605728-1
NO	GREEN	GREEN	1-1605728-1
NO	YELLOW	GREEN	1605728-9
NO	GREEN	YELLOW	1605728-2
△ DECOUPLING CAPACITOR	LED1 △	LED2 △	PART NUMBER

THIS DRAWING IS A CONTROLLED DOCUMENT. DWN D. HARRINGTON 11JUL2002
 CK M. HOSIER 11JUL2002
 EC LAJURER 11JUL2002

INCHES: 0 PLC ± .010
 1 PLC ± .010
 2 PLC ± .010
 3 PLC ± .010
 4 PLC ± .010

TO DIMENSIONS UNLESS OTHERWISE SPECIFIED.

APVD: 108-2100

APPLICATION SPEC

SIZE: A1

CAGE CODE: 00779

DRAWING NO: 1605728

RESTRICTED TO

SCALE: NTS

SHEET: 1 OF 1

REV: A

Tyco Electronics Corporation
 Harrisburg, PA 17105-3608

1X1 MAG45(TM), 7N2 SCHEMATIC
 (10/100 ETHERNET), 717 SERIES CIRCUIT, SHIELDED,
 OPTIONAL DECOUPLING CAPACITOR, WITH LEDS

CUSTOMER DRAWING